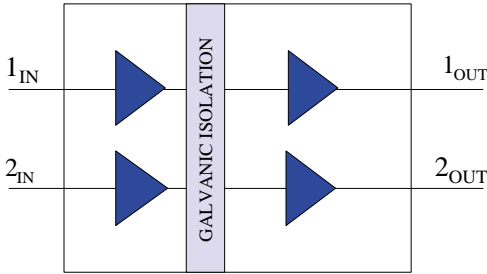
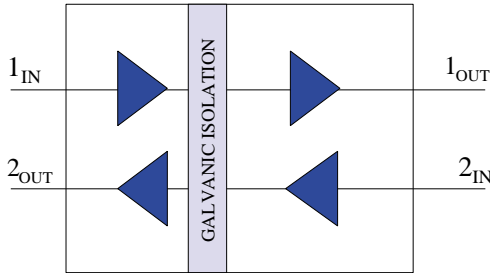


## Dual Digital Isolator

### Functional Diagram



### IL711



### IL712

### Ordering Information

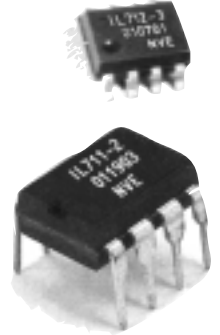
Model	Package Type	
	8-PDIP	8-SOIC
IL711	-2	-3
IL712	-2	-3

IL711-2 is 8-PDIP package

IL712-3 is an 8-SOIC package

### Features

- +5V and +3.3V CMOS Compatible
- 2 ns Typical Pulse Width Distortion
- 10 ns Typical Propagation Delay
- High Speed: 100 MBaud
- 2 ns Channel to Channel Skew
- 30 kV/μs Typical Transient Immunity
- 2500V<sub>RMS</sub> Isolation (1 min)
- 8-pin PDIP and 8-pin SOIC Packages
- UL1577 Approved (File # E207481)
- IEC 61010-1 Approved (Report # 607057)



### Applications

- Isolated Data Transmission
- Isolated ADCs and DACs
- Fieldbus Isolation
- High Speed Digital Systems
- Computer Peripheral Interfaces
- Logic Level Shifting

### Description

The IL711 and IL712 offer the user a level of true logic integration in an isolation product not previously available. The high speed digital isolators are configured as dual unidirectional in the IL711, and as a bi-directional pair in the IL712. Both devices are integrated with patented\* *IsoLoop*® technology giving them an excellent transient immunity specification. The symmetric magnetic coupling barrier gives these devices a propagation delay of only 10ns and a pulse width distortion of 2 ns.

Both the IL711 and the IL712 have 100Mbaud data rates which are independent of direction, i.e. the IL712 operates in full duplex mode making it ideal for many fieldbus bus applications. PROFIBUS / RS485 configurations are achieved by combinations of IL710 and the IL711 or IL712, either combination meeting the overall propagation delay requirements of the specification. Available in 8-pin PDIP and 8-pin SOIC packages, the IL711 and IL712 are specified over the temperature range of -40°C to +100°C without any derating in performance.

*IsoLoop*® is a registered trademark of NVE Corporation

\* US Patent number 5,831,426; 6,300,617 and others

# IL711/712 <sup>IsoLoop®</sup>

## Absolute Maximum Ratings

Parameters	Symbol	Min.	Max.	Units
Storage Temperature	$T_S$	-55	175	°C
Ambient Operating Temperature <sup>(1)</sup>	$T_A$	-55	125	°C
Supply Voltage	$V_{DD1}, V_{DD2}$	-0.5	7	Volts
Input Voltage	$V_I$	-0.5	$V_{DD1}+0.5$	Volts
Input Voltage	$V_{OE}$	-0.5	$V_{DD2}+0.5$	Volts
Output Voltage	$V_O$	-0.5	$V_{DD2}+0.5$	Volts
Drive Channel Output Current	$I_O$		10	mAmps
Lead Solder Temperature(10s)			260	°C
ESD	2kV Human Body Model			

## Recommended Operating Conditions

Parameters	Symbol	Min.	Max.	Units
Ambient Operating Temperature	$T_A$	-40	100	°C
Supply Voltage	$V_{DD1}, V_{DD2}$	3.0	5.5	Volts
Logic High Input Voltage	$V_{IH}$	2.4	$V_{DD1}$	Volts
Logic Low Input Voltage	$V_{IL}$	0	0.8	Volts
Input Signal Rise and Fall Times	$t_{IR}, t_{IF}$		1	µsec

## Insulation Specifications

Parameter	Condition	Min.	Typ.	Max.	Units
Barrier Impedance			$>10^{14}    3$		$\Omega    pF$
Creepage Distance (External)		7.036 (PDIP) 4.026 (SOIC)			mm
Leakage Current	240 $V_{RMS}$ 60Hz		0.2		µAmps

## Package Characteristics

Parameter	Symbol	Min.	Typ.	Max.	Units	Test Conditions
Capacitance (Input-Output) <sup>(5)</sup>	$C_{I-O}$		2		pF	f= 1MHz
Thermal Resistance (PDIP)	$\theta_{JCT}$		150		°C/W	Thermocouple located at center underside of package
(SOIC)	$\theta_{JCT}$		240		°C/W	
Package Power Dissipation	$P_{PD}$			150	mW	

## IEC61010-1

TUV Certificate Numbers: B 01 07 44230 001 (PDIP)  
B 01 07 44230 002 (SOIC)

Classification as Table 1.

Model	Pollution Degree	Material Group	Max Working Voltage	Package Type	
				8-PDIP	8-SOIC
IL710-2, IL711-2	II	III	300 $V_{RMS}$	✓	
IL710-3, IL711-3	II	III	150 $V_{RMS}$		✓

## UL 1577

Component Recognition program. File # E207481  
Rated 2500Vrms for 1min.

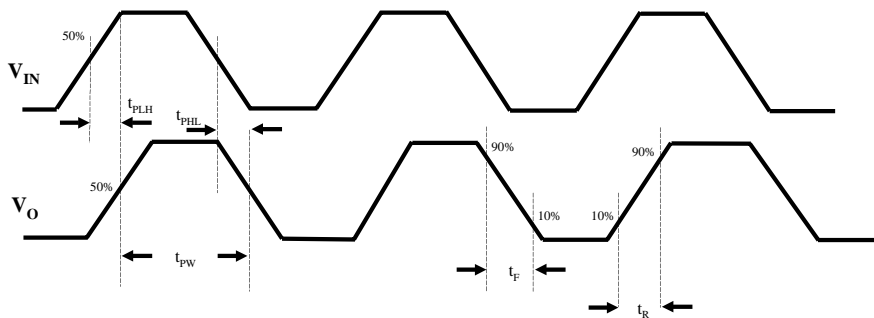
# IL711/712 <sup>IsoLoop®</sup>

## Electrical Specifications

Electrical Specifications are  $T_{min}$  to  $T_{max}$  unless otherwise stated.

Parameter	Symbol	3.3 Volt Specifications			5 Volt Specifications			Units	Test Conditions		
		Min.	Typ.	Max.	Min.	Typ.	Max.				
DC Specifications											
	Input Quiescent Supply Current	IL711 IL712	$I_{DD1}$	9 2.2	14 3.3		12 3	20 5	$\mu A$ mA		
Output Quiescent Supply Current	IL711 IL712	$I_{DD2}$		2.2 2.2	3.3 3.3		4 3	5 5	mA mA		
	Logic Input Current		$I_I$	-10		10			$\mu A$		
Logic High Output Voltage		$V_{OH}$	$V_{DD}-0.1$ $0.8 \cdot V_{DD}$	$V_{DD}$ $V_{DD}-0.5$			$V_{DD}-0.1$ $0.8 \cdot V_{DD}$	$V_{DD}$ $V_{DD}-0.5$	V	$I_O = -20 \mu A, V_I = V_{IH}$ $I_O = -4 \text{ mA}, V_I = V_{IH}$	
Logic Low Output Voltage		$V_{OL}$		0 0.5	0.1 0.8			0 0.5	0.1 0.8	V	$I_O = 20 \mu A, V_I = V_{IL}$ $I_O = 4 \text{ mA}, V_I = V_{IL}$
<b>Switching Specifications</b>											
Maximum Data Rate				100	110		100	110		MBd	$C_L = 15 \text{ pF}$
Pulse Width		PW		10			10			ns	
Propagation Delay Input to Output (High to Low)		$t_{PHL}$			12	18		10	15	ns	$C_L = 15 \text{ pF}$
Propagation Delay Input to Output (Low to High)		$t_{PLH}$			12	18		10	15	ns	$C_L = 15 \text{ pF}$
Pulse Width Distortion <sup>(2)</sup>   $t_{PHL} - t_{PLH}$		PWD			2	3		2	3	ns	$C_L = 15 \text{ pF}$
Propagation Delay Skew <sup>(3)</sup>		$t_{PSK}$			4	6		4	6	ns	$C_L = 15 \text{ pF}$
Output Rise Time (10-90%)		$t_R$			2	4		1	3	ns	$C_L = 15 \text{ pF}$
Output Fall Time (10-90%)		$t_F$			2	4		1	3	ns	$C_L = 15 \text{ pF}$
Transient Immunity (Output Logic High or Logic Low) <sup>(4)</sup>		CMH   CML		20	30		20	30		kV/ $\mu s$	$V_{cm} = 300V$
Channel to Channel Skew		$T_{CSK}$			2	3		2	3	ns	$C_L = 15 \text{ pF}$

## Timing Diagram



## Legend

$t_{PLH}$	Propagation Delay, Low to High
$t_{PHL}$	Propagation Delay, High to Low
$t_{PW}$	Minimum Pulse Width
$t_R$	Rise Time
$t_F$	Fall Time

# IL711/712<sup>IsoLoop®</sup>

## Notes:

1. Absolute Maximum ambient operating temperature means the device will not be damaged if operated under these conditions. It does not guarantee performance.
2. PWD is defined as  $|t_{PHL} - t_{PLH}|$ . %PWD is equal to the PWD divided by the pulse width.
3.  $t_{PSK}$  is equal to the magnitude of the worst case difference in  $t_{PHL}$  and/or  $t_{PLH}$  that will be seen between units at 25°C.
4.  $CM_H$  is the maximum common mode voltage slew rate that can be sustained while maintaining  $V_O > 0.8 V_{DD}$ .  $CM_L$  is the maximum common mode input voltage that can be sustained while maintaining  $V_O < 0.8 V$ . The common mode voltage slew rates apply to both rising and falling common mode voltage edges.
5. Device is considered a two terminal device: pins 1–4 shorted and pins 5–8 shorted.

## Application Notes:

### Power Consumption

Isoloop® devices achieve their low power consumption from the manner by which they transmit data across the isolation barrier. By detecting the edge transitions of the input logic signal and converting these to narrow current pulses a magnetic field is created around the GMR Wheatstone bridge. Depending on the direction of the magnetic field, the bridge causes the output comparator to switch following the input logic signal. Since the current pulses are narrow, about 2.5ns wide, the power consumption is independent of mark-to-space ratio and solely dependent on frequency. This has obvious advantages over optocouplers whose power consumption is heavily dependent on its on-state and frequency.

The approximate power supply current per channel for

$$\text{Isoloop}^\circ \text{ is: } I(\text{input}) = 40 \cdot \frac{f}{f_{\text{max}}} \cdot \frac{1}{4} \text{ mA}$$

where  $f =$  operating frequency  
 $f_{\text{max}} = 50 \text{ MHz}$

### Power Supplies

Because the IL711 and IL712 operate internally by using narrow current pulses, it is recommended that low ESR ceramic capacitors be used to decouple the supplies. 47nF capacitors should be placed as close to the device as possible between  $V_{DD1}$  and  $GND_1$  as well as between  $V_{DD2}$  and  $GND_2$ .

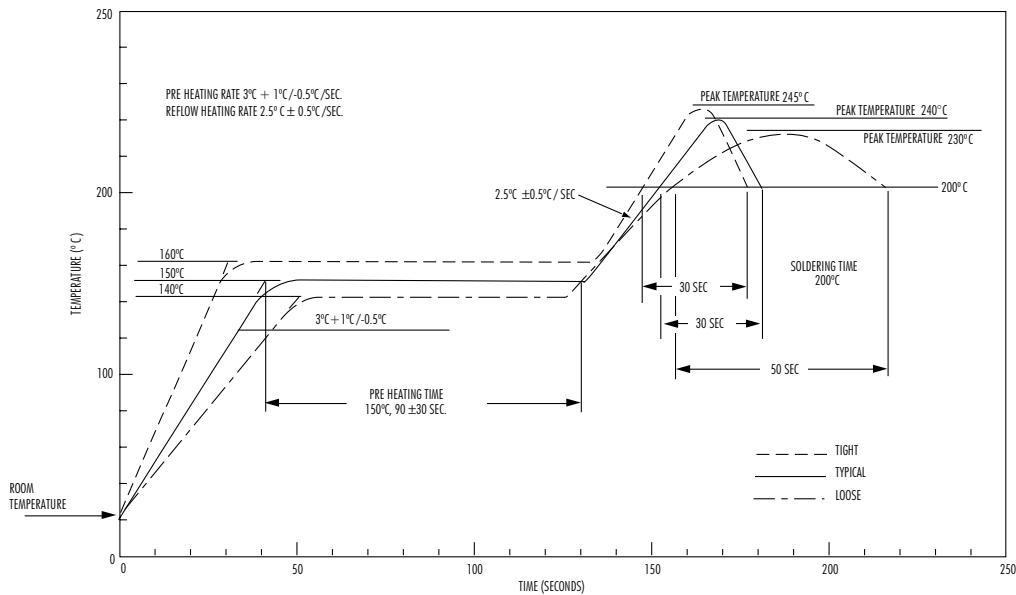
### Signal Status on Start-up and Shut Down

To minimize power dissipation, the input signals to the IL711 and IL712 are differentiated and then latched on the output side of the isolation barrier to reconstruct the signal. This could result in an ambiguous output state depending on power up, shutdown and power loss sequencing. Therefore, the designer should consider the inclusion of an initialization signal in his start-up circuit.

### Electrostatic Discharge Sensitivity

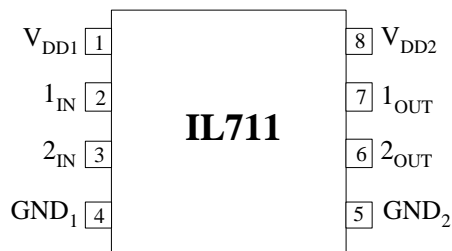
This product has been tested for electrostatic sensitivity to the limits stated in the specifications. However, NVE recommends that all integrated circuits be handled with appropriate care to avoid damage. Damage caused by inappropriate handling or storage could range from performance degradation to complete failure.

## IR Soldering Profile

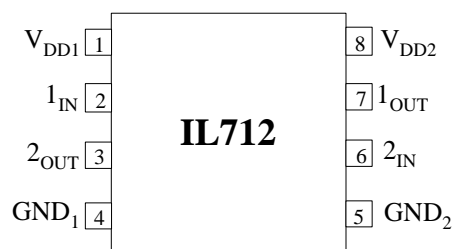


## Pin Connections

1	$V_{DD1}$	Input Power Supply
2	$1_{IN}$	Channel 1 Logic Input Signal
3	$2_{IN}$	Channel 2 Logic Input Signal
4	$GND_1$	Input Power Supply Ground
5	$GND_2$	Output Power Supply Ground
6	$2_{OUT}$	Channel 2 Logic Output Signal
7	$1_{OUT}$	Channel 1 Logic Output Signal
8	$V_{DD2}$	Output Power Supply

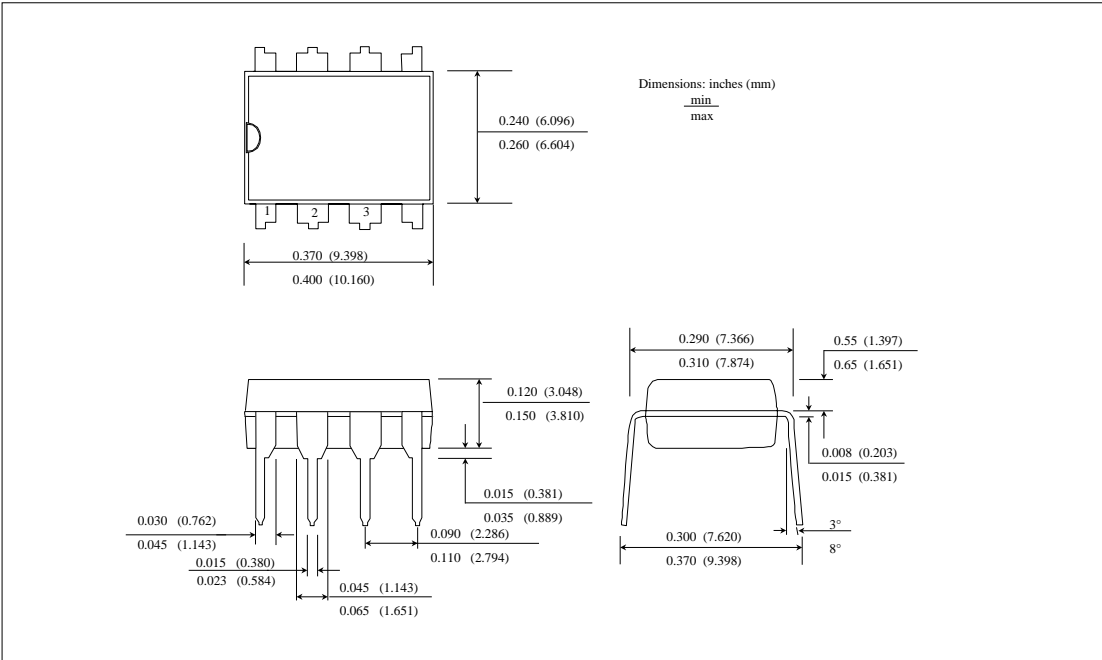


1	$V_{DD1}$	Input Power Supply
2	$1_{IN}$	Channel 1 Logic Input Signal
3	$2_{OUT}$	Channel 2 Logic Output Signal
4	$GND_1$	Input Power Supply Ground
5	$GND_2$	Output Power Supply Ground
6	$2_{IN}$	Channel 2 Logic Input Signal
7	$1_{OUT}$	Channel 1 Logic Output Signal
8	$V_{DD2}$	Output Power Supply

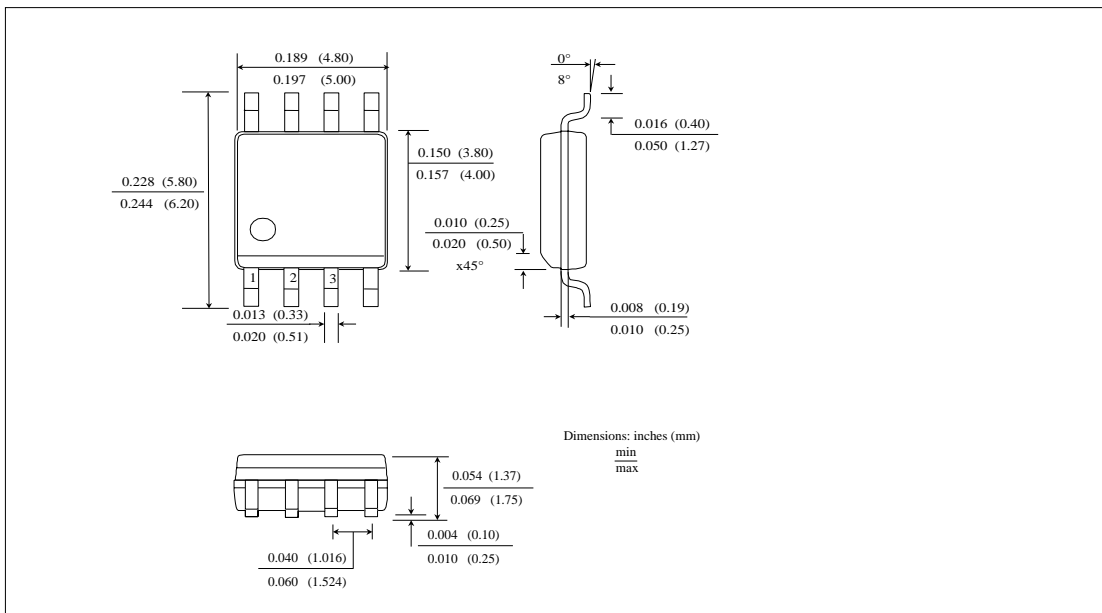


# IL711/712 <sup>IsoLoop®</sup>

## IL711-2 and IL712-2 (8-Pin PDIP Package)



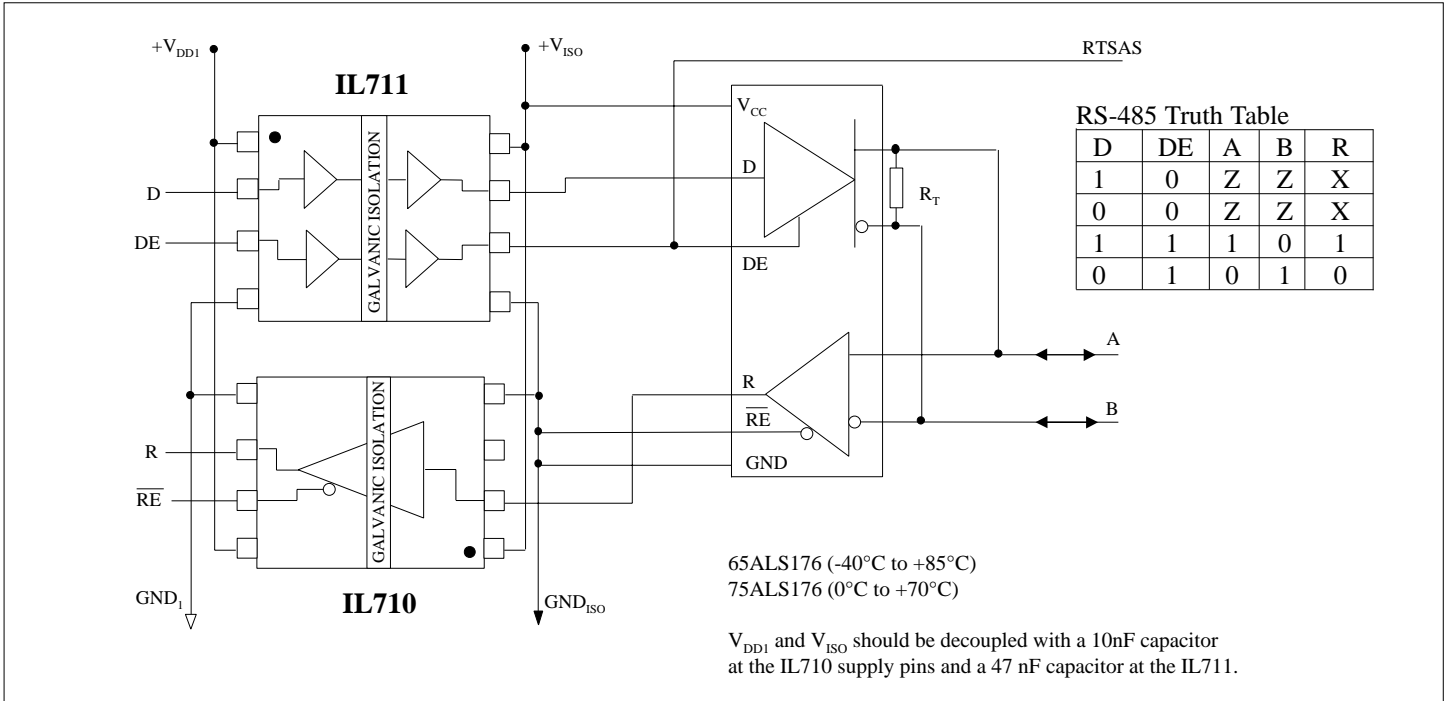
## IL711-3 and IL712-3 (Small Outline SOIC-8 package)



# IL711/712 <sup>IsoLoop®</sup>

## Applications

### Isolated PROFIBUS / RS-485



### Isolated DeviceNet / CAN Transceiver

